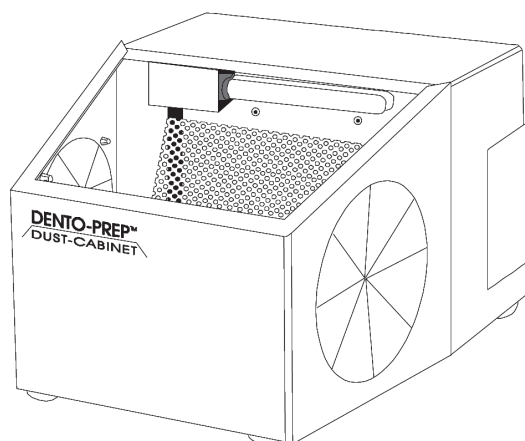




# DENTO-PREP™

## DUST-CABINET

### OPERATING INSTRUCTIONS



**REF** 1903: 230 VAC/50-60 Hz 30 W

#### Intended use

DENTO-PREP™ DUST-CABINET is intended for powder blasting procedures with DENTO-PREP™. Possible use of the cabinet for other purposes is on the operator's own responsibility.

#### Preparation

Insert the lamp enclosed, attach the power cable and your DUST-CABINET is ready for use.  
The window in the DUST-CABINET can be removed by pushing/sliding it upwards

#### Maintenance

Regular cleaning of the DUST-CABINET is recommended - remove the window and vacuum the used powder.

The DUST-CABINET is equipped with a dust filter which protects the built-in electronic suction system against the powder that is blown into the cabinet. The filter must be taken out regularly and cleaned (vacuumed). Remove the filter through the little hatch on the side of the cabinet.

#### Fault-finding

No light	= change lamp
Light and suction not working	= change the fuse
Suction reduced	= clean filter

#### Technical information

Dimensions:	H 180 – W 225 – D 315
Weight:	4130 gram
Power:	Item No. 1903: 230 VAC/50-60 Hz 30 W
Lamp:	PL-S 4P 9W 600 lumen, 840
Fuse:	1AT
Material:	Cabinet: Powder coated steel Window: Tempered glass

